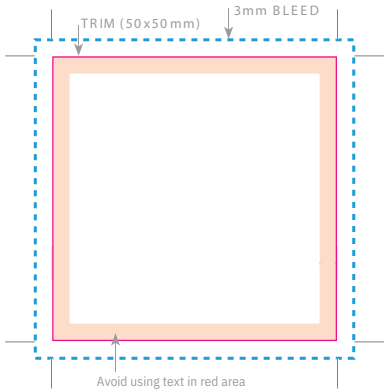


# Wooden Succulents

Spec Guideline



## ARTWORK SPECIFICATIONS / REQUIREMENTS

Art must be supplied in CMYK format or PMS colours specified, RGB is not acceptable  
All fonts must be converted to outlines. Working file must be compatible with CS5 -  
Illustrator 3mm bleed is required beyond the trim lines. Files to be supplied in PDF, EPS  
or AI format only.

A PDF proof will be emailed for confirmation of design for you to sign off prior to print production.  
No responsibility will be accepted for errors or changes once the artwork has been signed off.

## KEY

- Staples Field
- Lines: Cut Line
- Bleed Line
- Perforation Line
- Hidden Area